

1

2

3

4

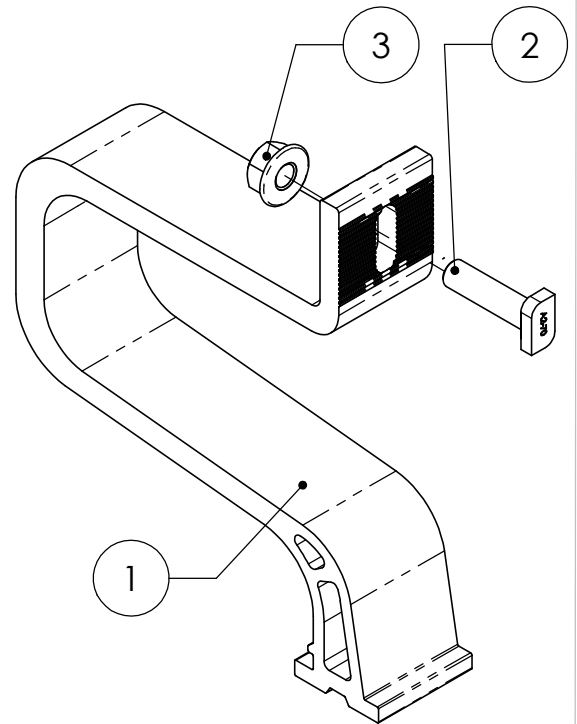
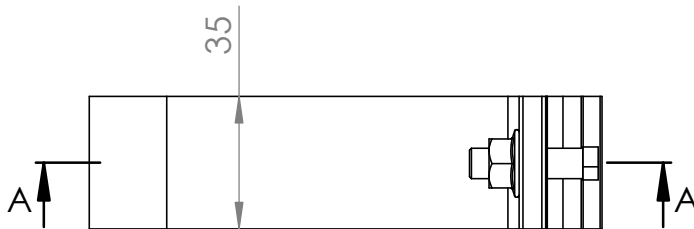
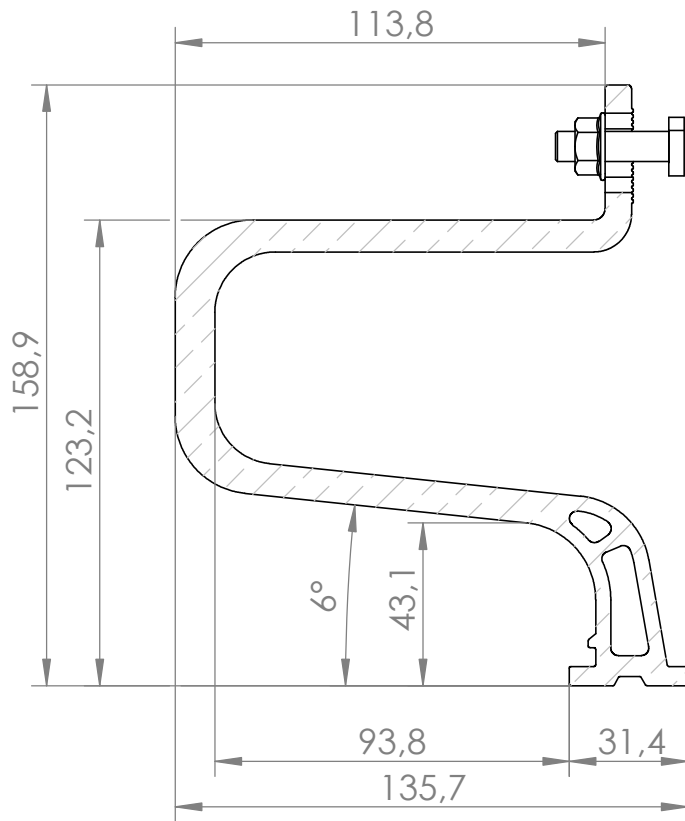
A

Section A-A

B

C

D



| Pos.-Nr.: | Item No.: | Designation: | Pcs.: |
|-----------|-----------|-------------------------|-------|
| 1 | 2001924 | MA SingleHook | 1 |
| 2 | 2002035 | T-Bolt 20/12 M8x30 | 1 |
| 3 | 2002744 | M NU M8 S self -locking | 1 |

F



K2 Systems GmbH
 Industriestr. 18
 71272 Renningen
 07159/42059-0

Designation:

Data sheet
 Single Bracket 1.1

| | | | | | |
|----------------------|------------|------------------------|--------------|--------------------|----------------------|
| Name | Date | Material: | Item no.: | 2003152 | A4 |
| Designed B.Benzinger | 16.09.2019 | EN AW 6063 T66 / Steel | Item no.: | | |
| Approved M.Littek | 16.09.2019 | Surface: Blank | Drawing no.: | 02-087-01 | All dimensions in mm |
| Last change S. Frey | 17.10.2019 | Weight: ca. 322 g/pcs | Scale: 1:2 | Tolerance ISO 8015 | Sheet 1 of 1 |

This drawing is the sole property of K2 Systems GmbH. It is protected by copyright and may only be copied, reproduced or distributed to a third party with explicit permission!