

Wall mounting appliance inlet - INNOLINQ lead-free with QUICK-CONNECT



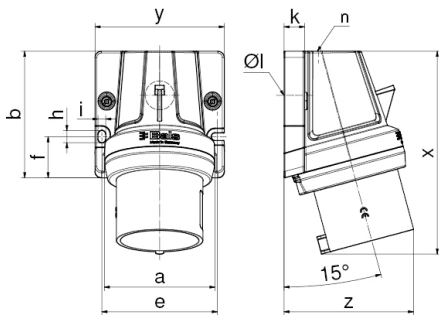
Product description	
BALS-Prd.-Nr	24703
EAN	4024941352192
Product category	Wall mounting appliance inlet INNOLINQ QC
Current	32A
Number of poles	4p
Poles	3P+PE
Position of earth contact	6 h
Voltage	380 up to 415V

Product description	
Frequency	50 and 60Hz
Protection degree	IP44
Colour code	red RAL 3000
Colour of appliance	Collar red RAL 3000, Housing top dark grey RAL 7012, Housing bottom dark gr RAL7012
Connection design	KONTEX-ULTRA + spring clamp
Maximum conductor size	10,0 qmm
Cable entry	M32
Height	147mm
Width	94mm
Depth	92mm
Dimension of enclosure	92x94 mm (HxW)
Material of enclosure	Polyamide
Contact	The contacts are brass, The contact carrier is made of high temperature resistant material

Additional technical properties	
	The cable entry is one at top open and one at bottom closed

Logistics data	
Weight/pcs	0.296 kg / Piece
Packaging	Bag
Content amount	1 ST

Logistics data	
EAN	4024941352192
Length	92 mm
Width	94 mm
Height	147 mm
Weight	0.297 kg
Volume	1,271.256 ccm



Ampere Polzahl	16 5	32 3	32 4	32 5
a	80,0	80,0	80,0	80,0
b	92,0	92,0	92,0	92,0
e	84,0	84,0	84,0	84,0
f	30,0	30,0	30,0	30,0
h	9,0	9,0	9,0	9,0
i	5,5	5,5	5,5	5,5
k	15,0	15,0	15,0	15,0
ø l	21,0	21,0	21,0	21,0
n	M32	M32	M32	M32
x	134,0	147,0	147,0	148,0
y	94,0	94,0	94,0	94,0
z	93,0	92,0	92,0	95,0
Cond. mm ² min	1,0	2,5	2,5	2,5
Cond. mm ² max	4,0	10,0	10,0	10,0

