

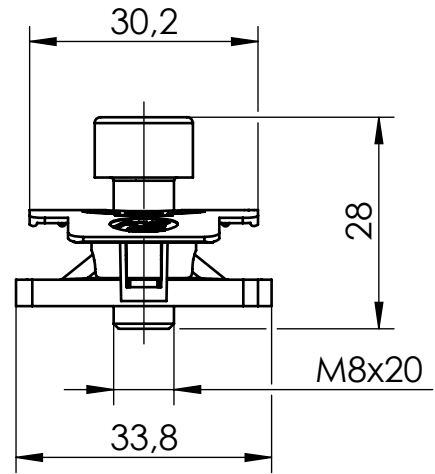
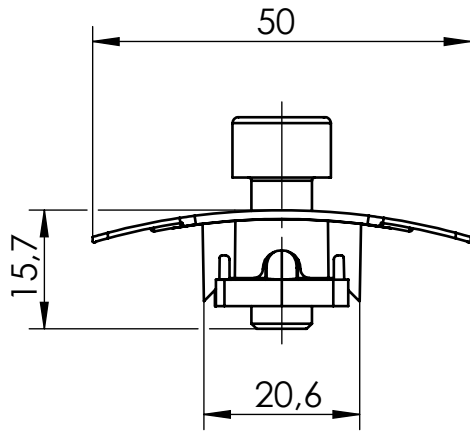
1

2

3

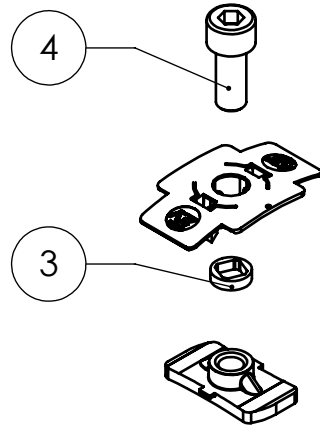
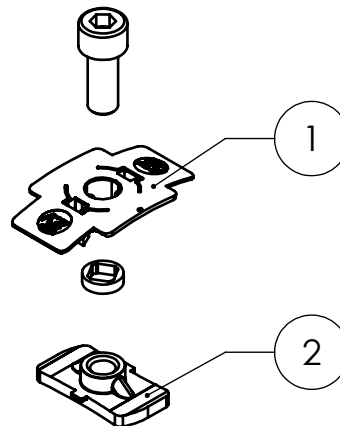
4

A



B

C

Isometric  
1:2

D

E

Pos.No.	Designation	Material	Quantity
1	MK2 Clip	Plastic - TPC	2
2	MK2 Slot nut	Stainless steel -1.430	2
3	MA Safety ring	Plastic - TPV	2
4	Socket head bolt serrated sim. ISO 4762 - M8 x 20	Stainless steel A2	2

F



K2 Systems GmbH  
Industriestr. 18  
71272 Renningen  
Germany  
+49 7159 42059-0

Designation:

Data sheet  
MiniFive Stop Set

Name	Date	Material:	Item no.:	A4
Designed E. Markou	01.12.2022	see table	2003379	
Approved V. Schütz	01.12.2022	Surface: -	Drawing no.: 04-046-02	All dimensions in mm
Last change A. Soumpalas	23.09.2022	Weight: ca. 66.3 g/pc	Scale: 1:1	Sheet 1 of 1

This drawing is the sole property of K2 Systems GmbH. It is protected by copyright and may only be copied, reproduced or distributed to a third party with explicit permission!