

Plug - with screwless terminals, lockable



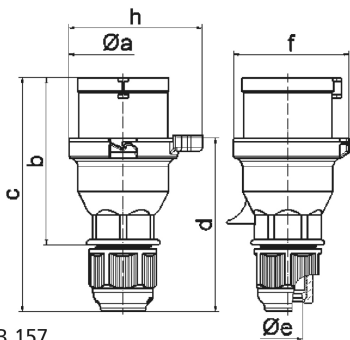
Product description	
BALS-Prd.-Nr	210950
EAN	4024941197427
Product category	QUICK-CONNECT plug
Current	16A
Number of poles	5p
Poles	3p+N+PE
Position of earth contact	6 h
Voltage	200/346 up to 240/415V
Frequency	50 and 60Hz

Product description	
Protection degree	IP44
Colour code	red RAL 3000
Colour of appliance	Housing cover red RAL 3000, Collar red RAL 3000, Cable gland grey RAL 7035
Connection design	screwless spring-clamp technology
Maximum conductor size	2,5 qmm
Cable entry	Cable gland
Height	147mm
Width	82mm
Depth	75mm
Material of enclosure	Polyamide
Contact	The contact carrier is made of polyamide, the contacts are brass nickel plated

Additional technical properties	
	Multi-Grip cable gland with gasket and integrated strain relief, Screwless housing connection with snap fastening, The plug is lockable with the connector art.-no. 310634 and padlock art.no. 580642, For cable diameter from 8 up to max. 18 mm

Logistics data	
Weight/pcs	0.15 kg / Piece
Packaging	Bag
Content amount	1 ST
EAN	4024941197427

Logistics data	
Length	75 mm
Width	82 mm
Height	147 mm
Weight	0.151 kg
Volume	904.05 ccm
Packaging	Carton
Content amount	10 ST
EAN	4024941832489
Length	245 mm
Width	177 mm
Height	185 mm
Weight	1.633 kg
Volume	7,140 ccm



2 MB 157

Ampere	16	32					
Polzahl	5	5					
a	66,0	74,5					
b	103,0	121,5					
c	142,0	174,5					
d	105,5	128,5					
e ø	18,0	23,0					
f	70,5	80,0					
h	82,0	90,0					
Leiter mm ² min	1	2,5					
Leiter mm ² max	2,5	6					