

Connector - with screwless terminals, for harsh applications



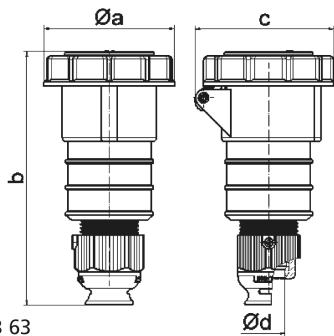
Product description	
BALS-Prd.-Nr	31501
EAN	4024941315012
Product category	Connector QUICK-CONNECT TE
Current	16A
Number of poles	5p
Poles	3p+N+PE
Position of earth contact	7 h
Voltage	277/480 up to 288/500V

Product description	
Frequency	50 and 60Hz
Protection degree	IP67
Colour code	black RAL 9005
Colour of appliance	Enclosure black RAL 9005, Hinged lid black RAL 9005, Bayonet ring grey RAL 7035, Cable gland grey RAL 7035
Connection design	screwless spring terminals as cage clamp with Kontex-contact
Maximum conductor size	2,5 qmm
Cable entry	Cable gland
Height	168mm
Width	87mm
Depth	92mm
Material of enclosure	Polyamide
Contact	The contact carrier is made of high temperature resistant material, the contacts are brass nickel plated

Additional technical properties	
	For cable diameter from 10 up to max. 21 mm, Multi-Grip cable gland with gasket, integrated cable clamp and additional water evacuation openings

Logistics data	
Weight/pcs	0.245 kg / Piece
Packaging	Bag

Logistics data	
Content amount	1 ST
EAN	4024941315012
Length	92 mm
Width	87 mm
Height	168 mm
Weight	0.246 kg
Volume	1,344.672 ccm
Packaging	Carton
Content amount	10 ST
EAN	4024941835183
Length	258 mm
Width	183 mm
Height	212 mm
Weight	2.602 kg
Volume	8,750 ccm



3 MB 63

Ampere	16	16	16	32	32	32
Polzahl	3	4	5	3	4	5
a ø	70,5	78,0	86,5	94,0	94,0	101,5
b	161,0	161,0	168,0	196,0	196,0	200,0
c	77,0	83,0	93,0	99,0	99,0	107,0
d ø	18,0	18,0	21,0	23,0	23,0	27,0
Leiter mm ² min	1	1	1	2,5	2,5	2,5
Leiter mm ² max	2,5	2,5	2,5	6	6	6