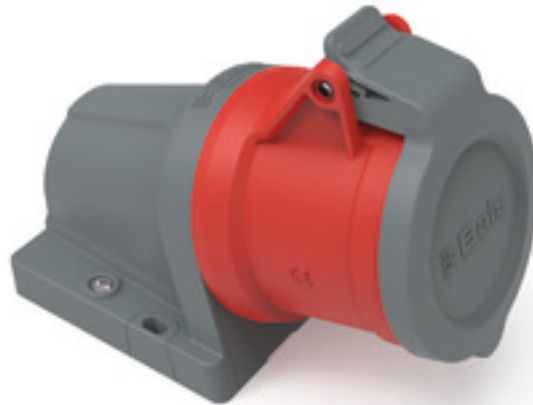


Wall mounting socket outlet - INNOLINQ lead-free, with QUICK-CONNECT



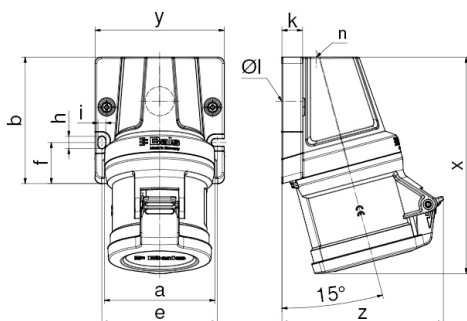
Product description	
BALS-Prd.-Nr	110635
EAN	4024941924788
Product category	Wall mounting socket outlet INNOLINQ QC
Current	32A
Number of poles	5p
Arrangement of phases	3p+N+PE
Position of earth contact	6 h
Voltage	200/346 - 240/415V~

Product description	
Frequency	50/60Hz
Protection degree	IP44
Colour code	red RAL 3000
Colour of appliance	Hinged lid dark grey RAL 7012, Collar red RAL 3000, Housing top dark grey RAL 7012, Housing bottom dark grey RAL 7012
Connection design	screwless spring terminals with KONTEX-ULTRA contact
Maximum conductor size	10,0 qmm
Cable entry	M32
Height	158mm
Width	94mm
Depth	118mm
Dimension of enclosure	92x94 mm (HxW)
Material of enclosure	Polyamide
Contacts	The contacts are brass, The contact carrier is made of high temperature resistant material

Additional technical properties	
	The cable entry is one at top open and one at bottom closed, This product is without any lead

Logistics data	
Weight/pcs	0.353 kg / Piece
Packaging	Bag

Logistics data	
Content amount	1 ST
EAN	4024941924788
Length	118 mm
Width	94 mm
Height	158 mm
Weight	0.354 kg
Volume	1,752.536 ccm
Packaging	Carton
Content amount	10 ST
EAN	4024941924795
Length	325 mm
Width	217 mm
Height	210 mm
Weight	3.736 kg
Volume	13,588.4 ccm



Ampere	16	32	32	32
Polzahl	5	3	4	5
a	80,0	80,0	80,0	80,0
b	92,0	92,0	92,0	92,0
e	84,0	84,0	84,0	84,0
f	30,0	30,0	30,0	30,0
h	9,0	9,0	9,0	9,0
i	5,5	5,5	5,5	5,5
k	15,0	15,0	15,0	15,0
Ø l	21,0	21,0	21,0	21,0
n	M32	M32	M32	M32
x	145,0	157,0	157,0	158,0
y	94,0	94,0	94,0	94,0
z	114,0	112,0	112,0	118,0
Cond. mm ² min	1,0	2,5	2,5	2,5
Cond. mm ² max	4,0	10,0	10,0	10,0

