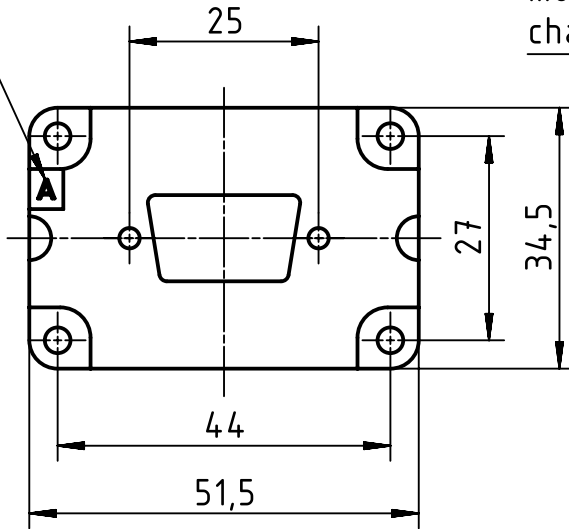
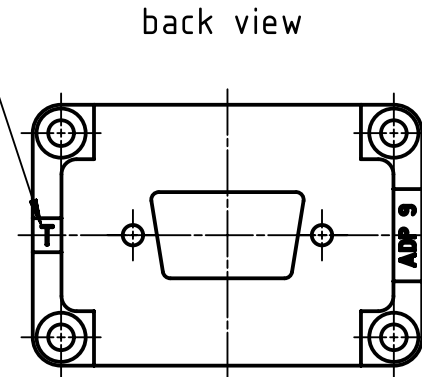


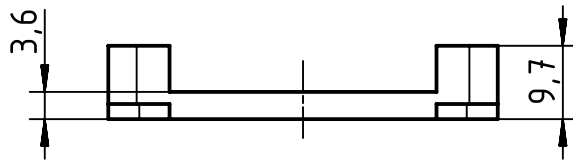
mounting in housing:  
character "A" visible



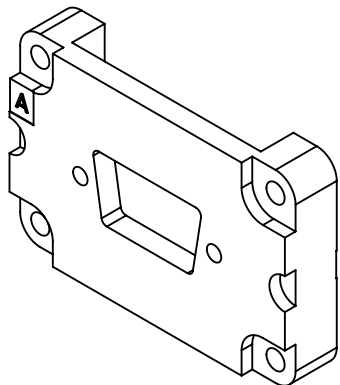
mounting in hood:  
character "T" visible




back view



belongs to range of delivery:  
2x screws ISO 1481-ST2,9x6,5-F  
4x screws ISO 1207-M3x14



	All Dimensions in mm Original Size DIN A4		Scale 1:1		Free size tol.		Ref.			
	All rights reserved Department EL PD - DE		Created by HARLASSK		Inspected by NICHTERLEIN		Standardisation RUETERA			
HARTING Electric GmbH & Co. KG D-32339 Espelkamp		Title Adapter Han 6B - D-Sub 9					Date 2017-09-21		State Final Release	
		Type TB					Number 09 30 000 9965		Doc-Key / ECM-Nr. 100210148/UGD/006/A 500000125248	
							Rev. A		Page 1/1	