

Panel mounting socket outlet, straight - flange 75x75, System E Belgian/French standard



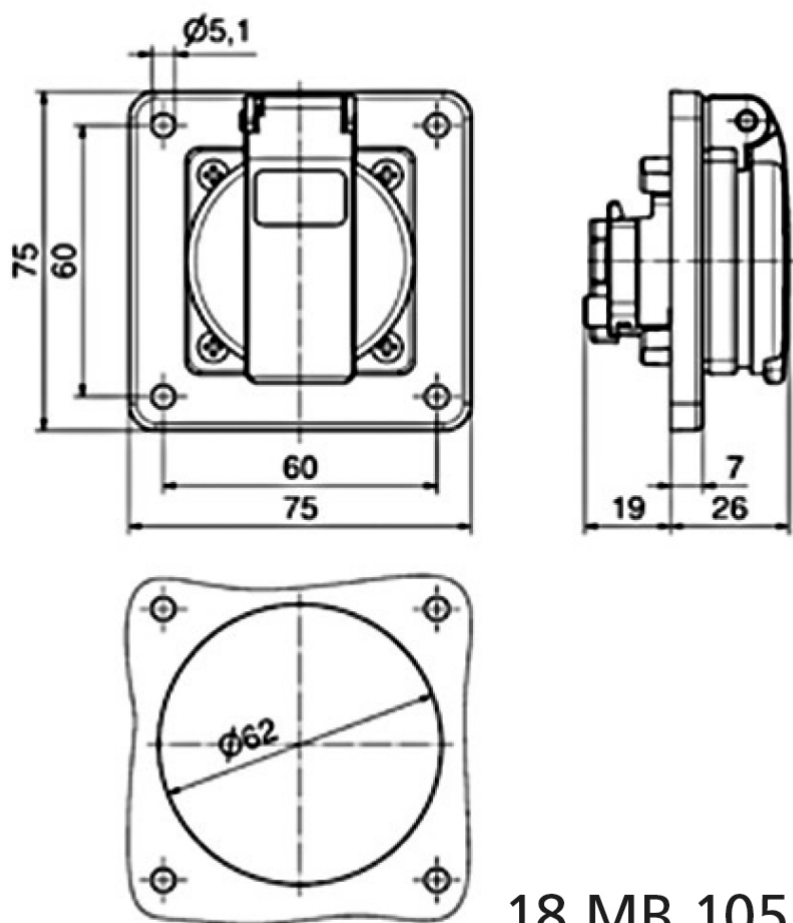
Product description	
BALS-Prd.-Nr	71123
EAN	4024941938297
Product category	Domestic panel mounting socket, Quick-Connect screwless push-contact System E Belgian/French standard
Current	16A
Number of poles	3p
Poles	2P+PE
Voltage	250V
Frequency	alternating current (AC)

Product description	
Protection degree	IP54
Colour code	black RAL 9005
Colour of appliance	Enclosure black RAL 9005, Hinged lid black RAL 9005
Connection design	screwless
Maximum conductor size	4,0 qmm
Cable entry	other
Height	75mm
Width	75mm
Depth	45mm
Flange size vertical	75mm
Flange size horizontal	75mm
Drill hole distance vertical	60mm
Drill hole distance horizontal	60mm
Material of enclosure	Polyamide
Contact	The contact carrier is made of polyamide, the contacts are brass nickel plated

Additional technical properties	
	The connection is rear, With earth contact Belgian/French standard

Logistics data	
Weight/pcs	0.093 kg / Piece

Logistics data	
Packaging	Bag
Content amount	1 ST
EAN	4024941938297
Length	45 mm
Width	75 mm
Height	75 mm
Weight	0.094 kg
Volume	253.125 ccm
Packaging	Carton
Content amount	20 ST
EAN	4024941835770
Length	275 mm
Width	175 mm
Height	137 mm
Weight	1.985 kg
Volume	5,737.5 ccm

**18 MB 105**