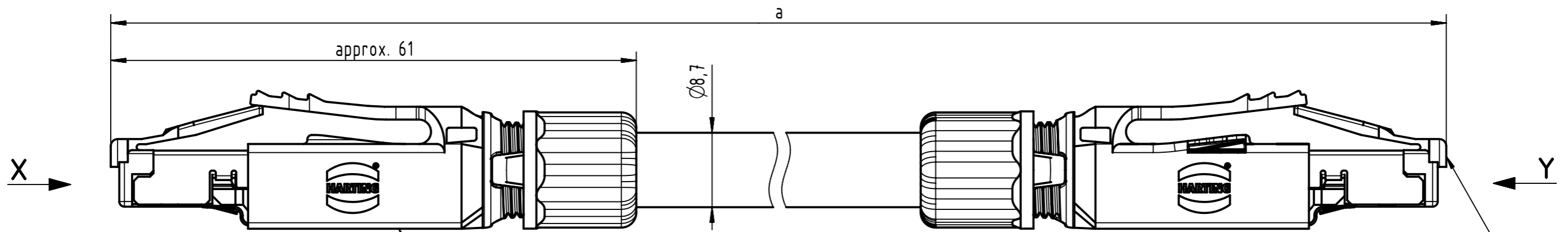


Connector Location A

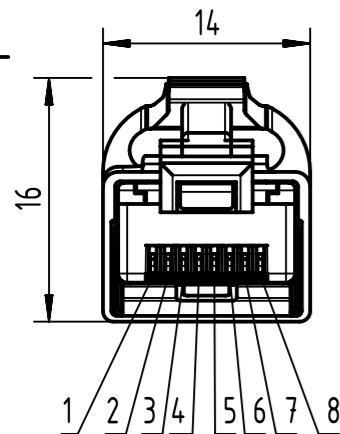
Connector Location B



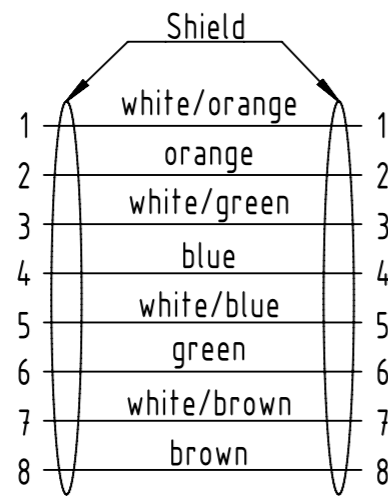
RJI 10G RJ45 Cat. 6, 8-pole, IDC straight

Mating face RJ45 acc. to IEC 60603-7

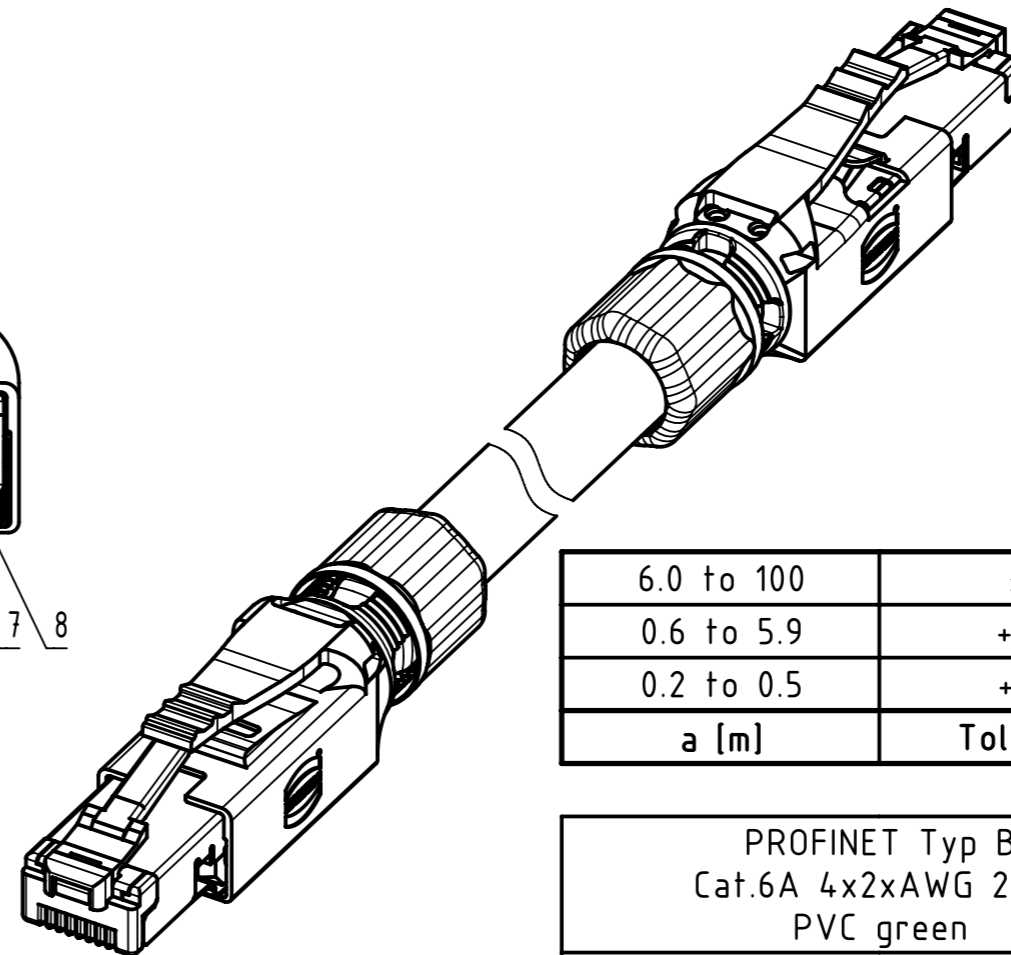
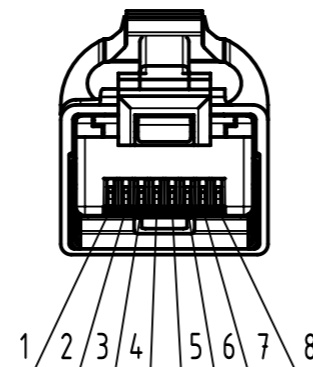
X
male



Loading Plan
acc. to TIA/EIA 568B



Y
male



6.0 to 100	±1%
0.6 to 5.9	+0.04
0.2 to 0.5	+0.02
a [m]	Tolerance

length in "1m" step	100	XXX=000
	99	XXX=990
	12	XXX=120
	11	XXX=110
length in "0.1m" step	10	XXX=100
	9.9	XXX=099
	9.8	XXX=098
	0.5	XXX=005
	0.4	XXX=004
	0.3	XXX=003
	0.2	XXX=002
Step	a [m]	XXX

- Protection level: IP20
- Temperature range: -40°C ... +70°C

PROFINET Typ B
Cat.6A 4x2xAWG 23/7
PVC green

09486363765XXX

Type of cable

Part no.

All Dimensions in mm		Tech. Character.		Free size tol.		According to production drawing	
All rights reserved Department HCS - RO	Created by COSTEA Costea	Inspected by 402676 Gross	Standardisation MUNTEANV Muntean	Date 2023-05-30	State Final Release		
	Title RJI 10G RJ45 PN Type B AWG23/7			Doc-Key / ECM-Nr. 100824358/UGD/005/B 500000241931		Rev. B	Page 1/1
HARTING Customised Solutions D-32339 Espelkamp		Type TB	Number 09486363765XXX				