

## Panel mounting socket outlet, angled TN - flange 85x85, fixing centers 70x70

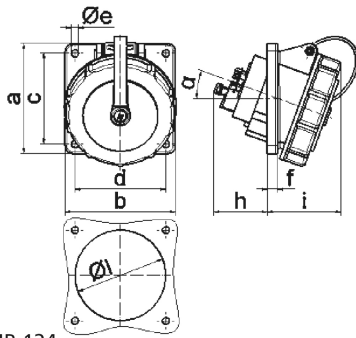


| Product description       |   |
|---------------------------|---|
| BALS-Prd.-Nr              | 12085   |
| EAN                       | 4024941120852   |
| Product category          | TN panel mounting socket outlet Quick-Connect, angled |
| Current                   | 16A   |
| Number of poles           | 3p  |
| Poles                     | 2P+PE   |
| Position of earth contact | 6 h   |
| Voltage                   | 200 up to 250V  |

| Product description            |   |
|--------------------------------|---|
| Frequency                      | 50 and 60Hz   |
| VG-Type-No.:                   | VG 96919 BS 017   |
| Supplynumber:                  | 5935-12-347-4131  |
| Protection degree              | IP67  |
| Colour code                    | bronze-green RAL 6031-F9  |
| Colour of appliance            | Bayonet ring bronze-green RAL 6031-F9, Hinged lid bronze-green RAL 6031-F9, Enclosure bronze-green RAL 6031-F9, Enclosure grey RAL 7035 |
| Connection design              | screwless spring terminals as cage clamp with Kontex-contact  |
| Maximum conductor size         | 4,0 qmm   |
| Cable entry                    | other   |
| Height                         | 90mm  |
| Width                          | 85mm  |
| Depth                          | 99mm  |
| Flange size vertical           | 85mm  |
| Flange size horizontal         | 85mm  |
| Drill hole distance vertical   | 70mm  |
| Drill hole distance horizontal | 70mm  |
| Material of enclosure          | Polyamide   |
| Contact                        | The contact carrier is made of high temperature resistant material, the contacts are brass nickel plated                                |

| Additional technical properties |                             |
|---------------------------------|-----------------------------|
|                                 | The inclination is 20°      |
|                                 | With bayonet cover on strap |

| Logistics data |                  |
|----------------|------------------|
| Weight/pcs     | 0.153 kg / Piece |
| Packaging      | Bag              |
| Content amount | 1 ST             |
| EAN            | 4024941120852    |
| Length         | 99 mm            |
| Width          | 85 mm            |
| Height         | 90 mm            |
| Weight         | 0.154 kg         |
| Volume         | 757.35 ccm       |
| Packaging      | Carton           |
| Content amount | 10 ST            |
| EAN            | 4024941970136    |
| Length         | 245 mm           |
| Width          | 177 mm           |
| Height         | 185 mm           |
| Weight         | 1.663 kg         |
| Volume         | 7,140 ccm        |



4 MB 124

| Ampere                     | 16   | 16   | 16   | 32   | 32   | 32   |
|----------------------------|------|------|------|------|------|------|
| Polzahl                    | 3    | 4    | 5    | 3    | 4    | 5    |
| a                          | 85,0 | 85,0 | 85,0 | 85,0 | 85,0 | 85,0 |
| b                          | 85,0 | 85,0 | 85,0 | 85,0 | 85,0 | 85,0 |
| c                          | 70,0 | 70,0 | 70,0 | 70,0 | 70,0 | 70,0 |
| d                          | 70,0 | 70,0 | 70,0 | 70,0 | 70,0 | 70,0 |
| e $\varnothing$            | 5,5  | 5,5  | 5,5  | 5,5  | 5,5  | 5,5  |
| f                          | 8,0  | 8,0  | 8,0  | 8,0  | 8,0  | 8,0  |
| h                          | 46,0 | 46,0 | 46,0 | 50,0 | 50,0 | 50,0 |
| i                          | 57,0 | 57,0 | 60,0 | 67,0 | 67,0 | 69,0 |
| l $\varnothing$            | 57,0 | 65,0 | 70,0 | 78,0 | 78,0 | 78,0 |
| $\alpha$                   | 20°  | 20°  | 20°  | 20°  | 20°  | 20°  |
| Leiter mm <sup>2</sup> min | 1,5  | 1,5  | 1,5  | 2,5  | 2,5  | 2,5  |
| Leiter mm <sup>2</sup> max | 4,0  | 4,0  | 4,0  | 10,0 | 10,0 | 10,0 |